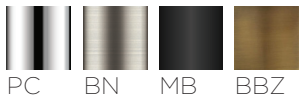


Shower Arm and Flange

FEATURES:

- Arm measures 6" in length
- Brass arm and metal flange construction
- 1/2" -14 NPTM connections
- Corrosion resistant finishes
- Ceiling-mounted installation
- Coordinates with rain shower heads from either the Neo or Kubos Collection

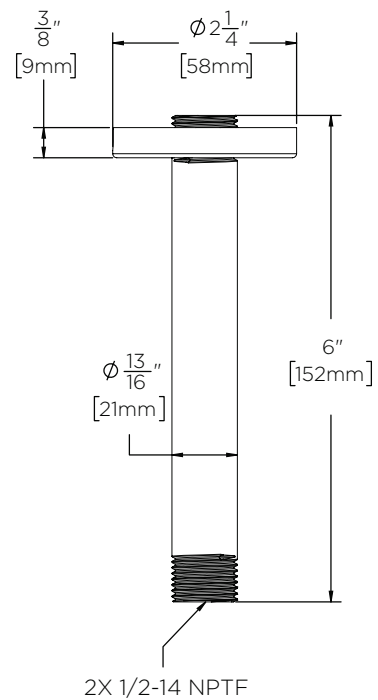
STOCK FINISHES:



WARRANTY:

Visit www.speakman.com for full product warranty information

- Limited Lifetime Warranty (consumer)
- 1 Year Limited Warranty (commercial)



All dimensions are in inches (millimeters) unless otherwise specified and are subject to change without notice.

Architect/Engineer Approval Space:

P: 800-537-2107
F: 800-977-2747
W: WWW.SPEAKMAN.COM
R: 04-AUGUST 2021